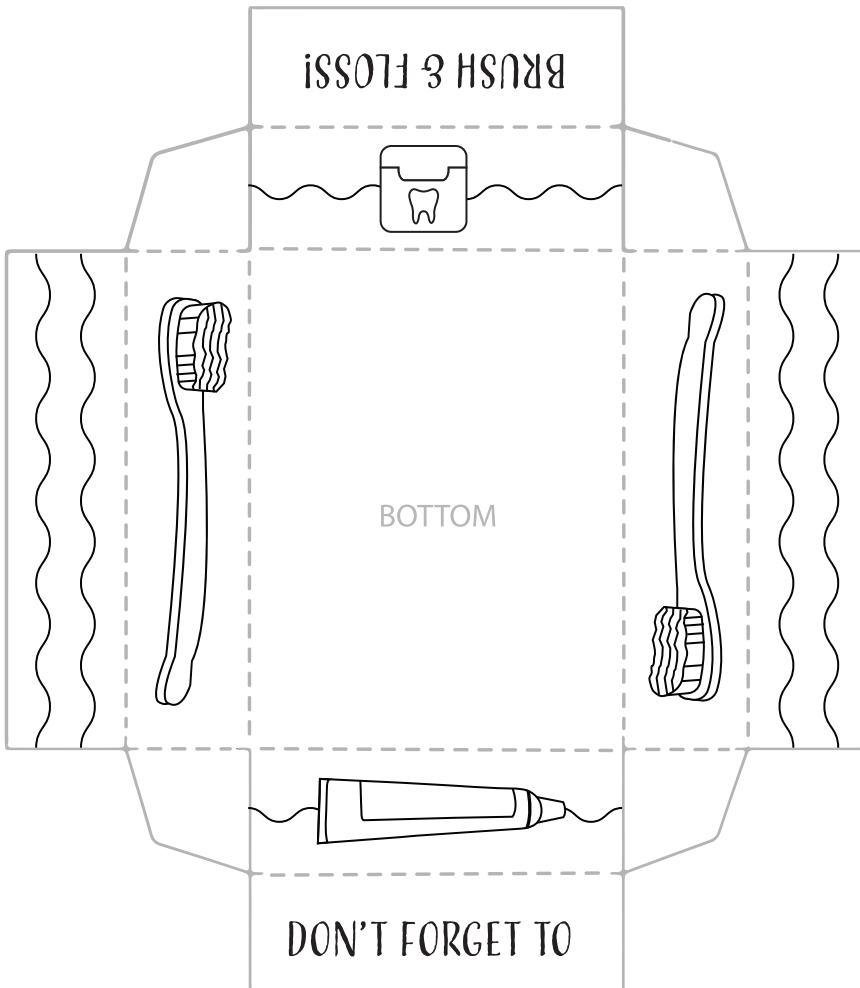


## HOW TO MAKE YOUR OWN TOOTH FAIRY BOX!

1. Print out and color. (Don't forget to write your name on the case!)
2. Cut along the solid lines, fold along the dotted lines.
3. Fold the sides of the inside drawer in on themselves while tucking the tabs into the folds of the shorter sides.  
*Tip: Attach the sides with adhesive to keep them in place.*
4. Fold case and attach where it overlaps.  
*Tip: Wrap it around the drawer before attaching to ensure a good fit.*
5. Put tooth in the drawer and place next to bed for the Tooth Fairy to find.

Drawer



Case



WRITE YOUR NAME HERE!

